

Stainless steel valves

for PVC pipes, for concreting



Numerous applications

- Drain valve at discharge line
- Stop valve at discharge distribution to one or more tanks
- Check valve inside or outside the building
- Replacement of existing check valves: the valve can be mounted outside the slurry channel or the building, securing easy and safe operation

Advantages

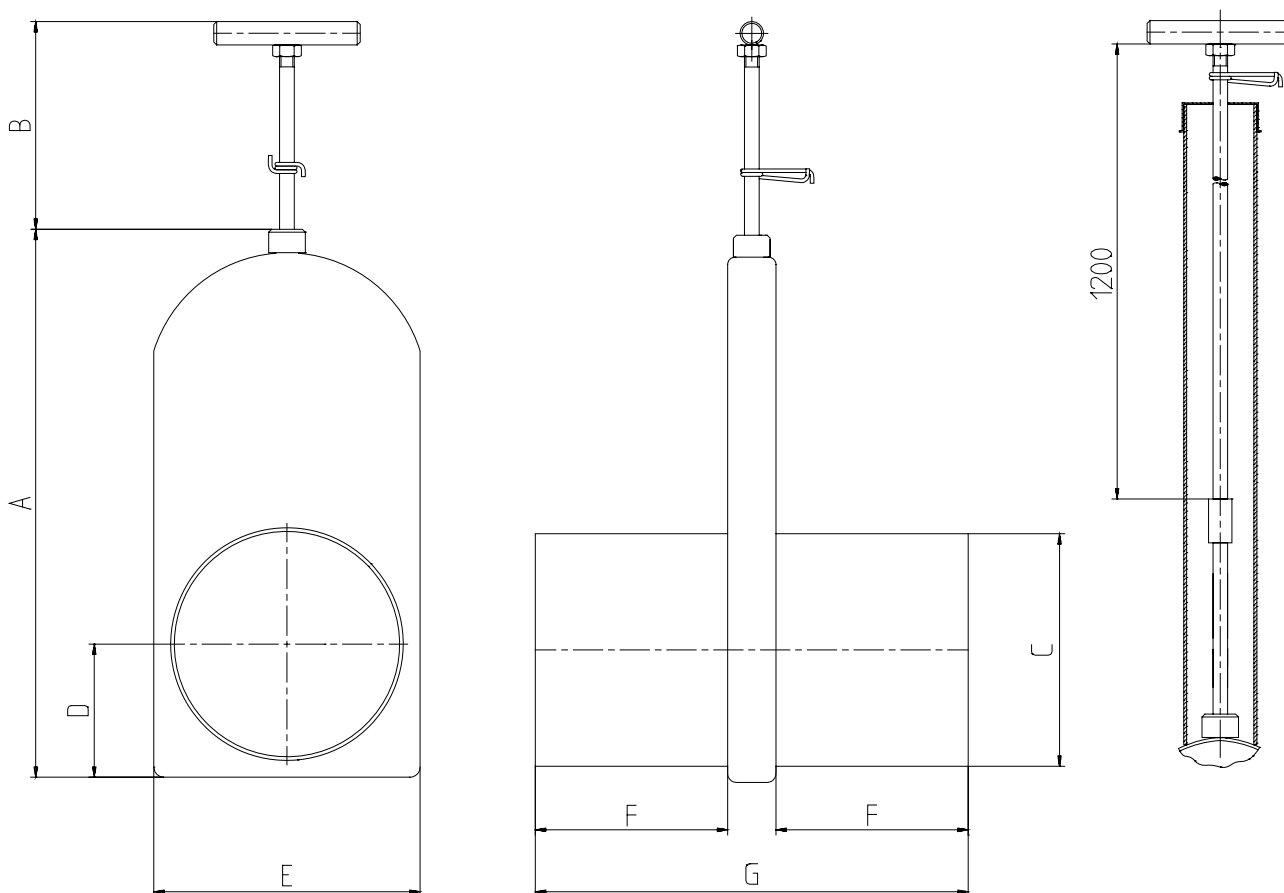
- special safety spring on the handle, securing the valve to remain open during pumping
- frost-proof
- shockresistant
- stuck-free
- slurry-tight

Material: stainless steel

The check valves are available with a 1.2 m stainless steel lever as well as PVC lever protection pipe.

Quality in every detail

Principal measurements: Stainless steel valve with handle, for PVC pipe



Varenr./ Article no./ Artikel Nr./ Code no.	Rørdimension/ Pipe dimension/ Rohrdimension/ Dimensions du tuyau PVC [mm]	Dimensioner - Dimensions Hauptmasse - Encombremts [mm]							
		A	B	C	D	E	F	G	
7614000	Ø110	270	171	110	65	130	100	236	
7614001	Ø160	375	117	160	91	184	130	295	
7614004	Ø200	475	70	200	121	239	150	338	
7614002	St. steel extension rod w/protec. Pipe for St. steel gates								

The text and the technical data given must not be reproduced partly or completely without permission from Landia A/S.
We reserve the right to make technical alterations.

BO00A.C15 03.04.07

Head office:
Landia A/S
Industrivej 2
DK-6940 Lem St.
Tel.: +45 97 34 12 44
Fax: +45 97 34 16 98
e-mail: info@landia.dk
www.landia.dk

UK-Branch: **Landia (UK) Ltd.**
Waymills Industrial Estate
Whitchurch, Shropshire SY13 1TT
Tel.: 01948 661 200
Fax: 01948 661 201
Email: info@landia.co.uk
www.landia.co.uk